

Decorative Cornice

The finishing
touch to your
walls & ceilings

Cornice -
decorative
and functional



Build it better with **BGC**

BGC

Plasterboard

www.bgc.com.au/plasterboard

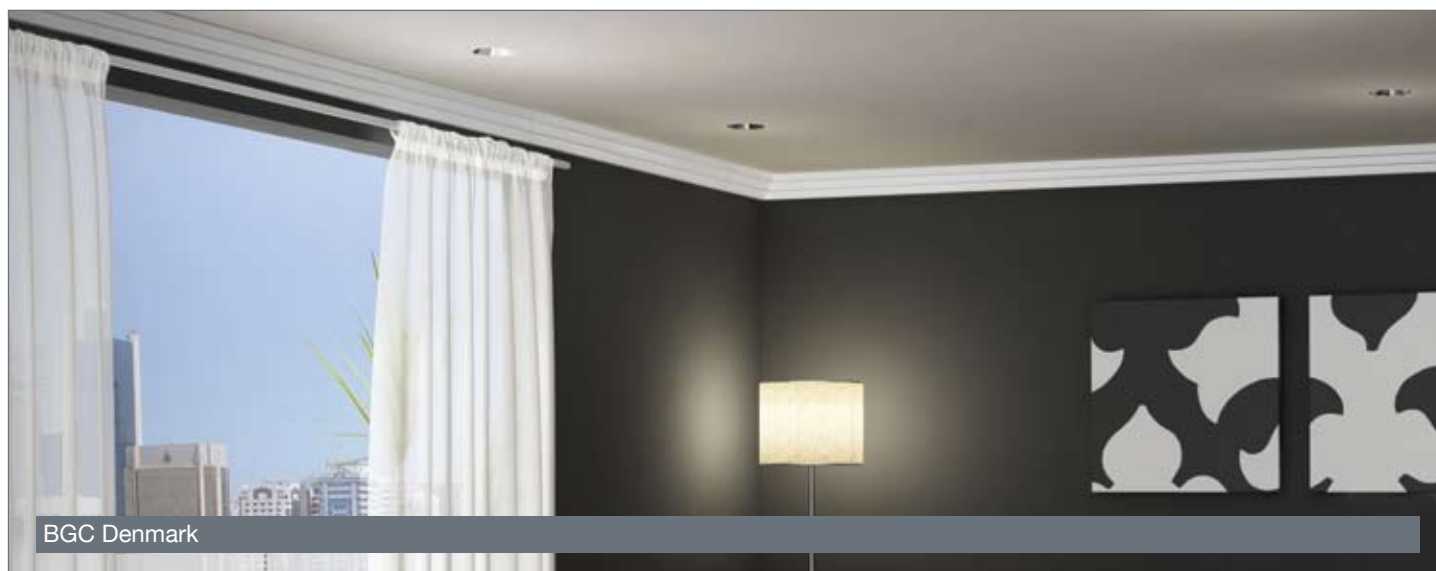
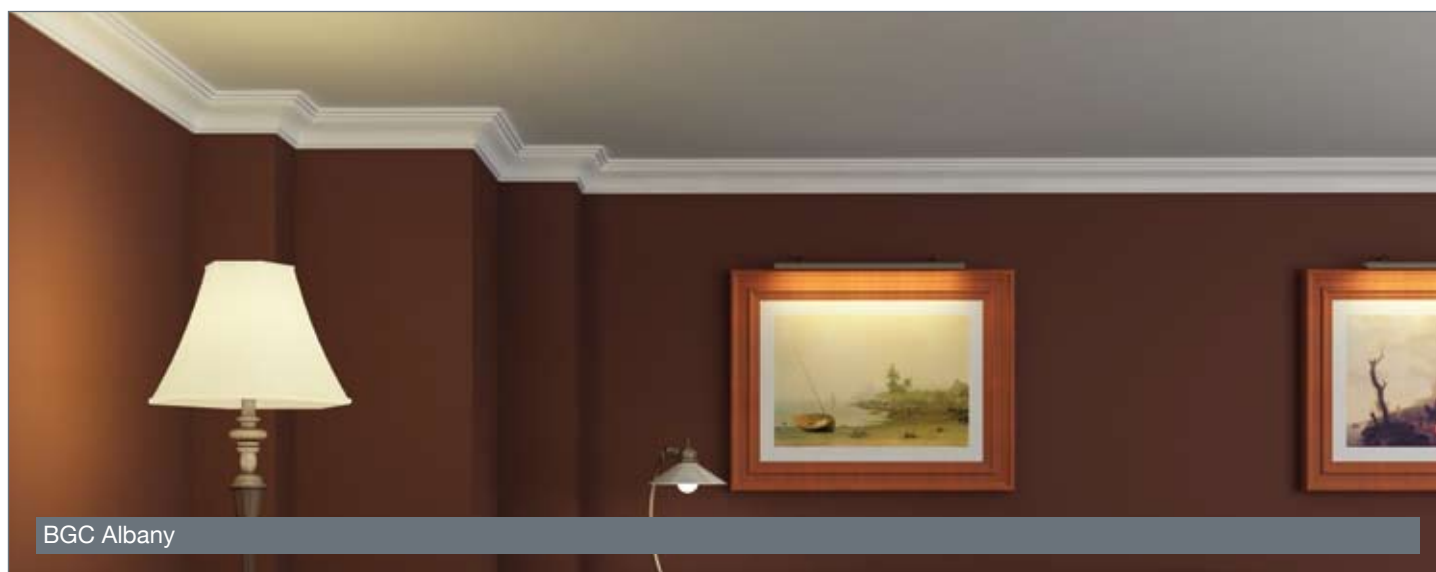
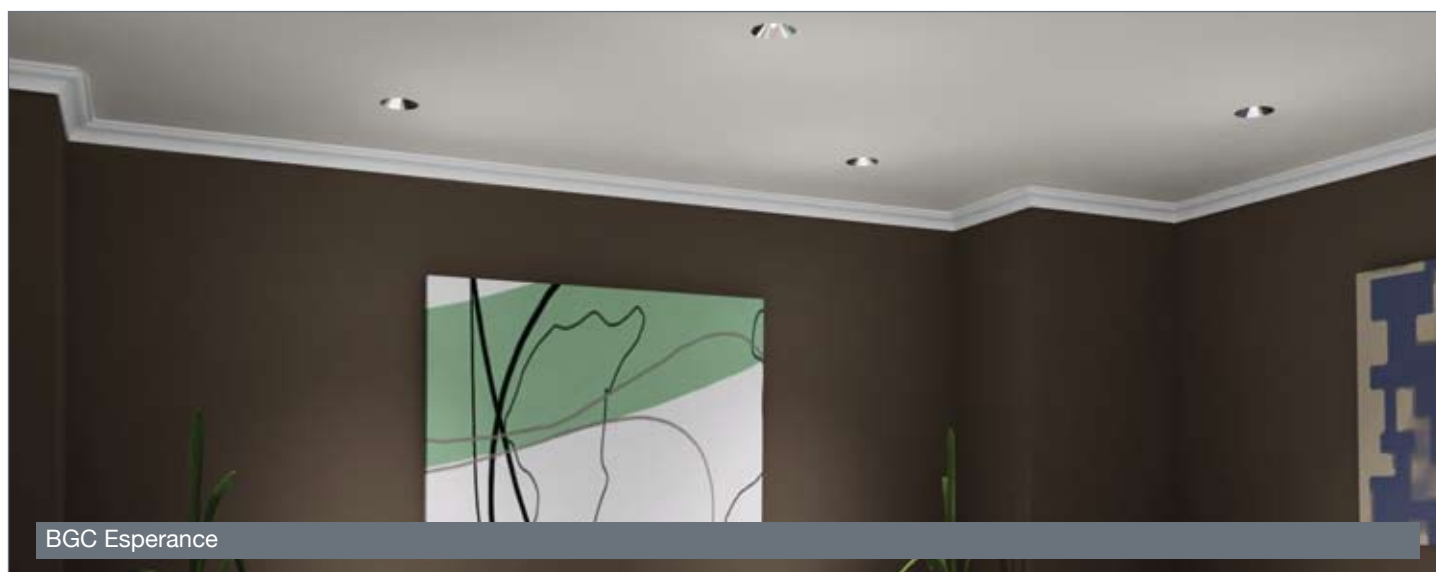
Product Description

Cornice is designed to provide a clean and pleasing finish at the junction of walls and ceilings and it's the little touches that can make your room feel special.

The Decorative Cornice range from BGC Plasterboard adds the finishing touch to the interior décor of your new home or renovation.

Look at what Decorative Cornice can do to the appearance of a room.

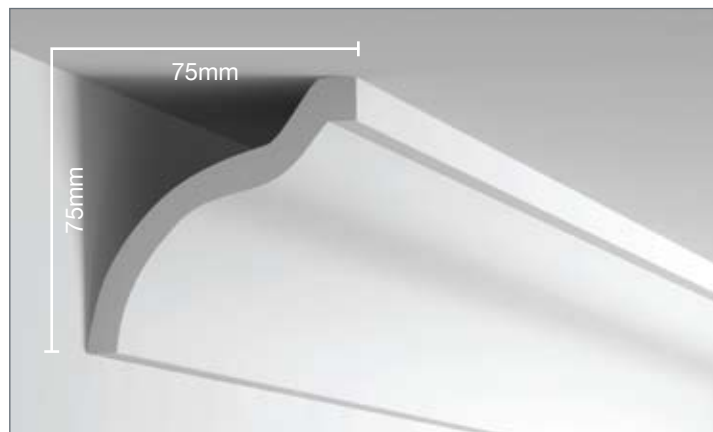
Speak to your builder about upgrading from standard cove cornice to one of our Decorative Cornices.



BGC Esperance

BGC Esperance provides a timeless design suiting many different styles of home. The soft undulation of the curve provides a stylish finish to any room.

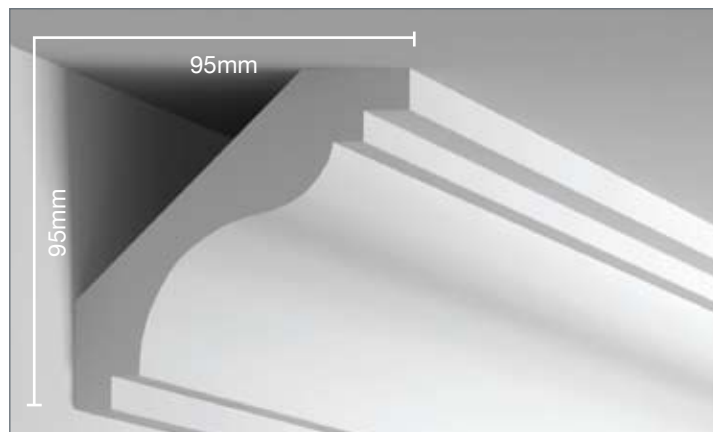
- 75mm profile
- An attractive wave effect
- Available in 4.8m lengths



BGC Albany

For the bolder finish, don't look any further than the BGC Albany decorative cornice. With dramatic steps and bold curves, BGC Albany creates an eye catching feature in a room.

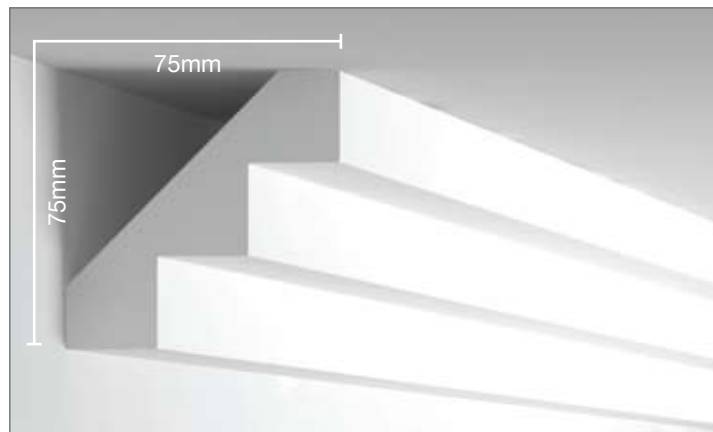
- 95mm profile
- Bold and stylish
- Can be retro fitted over existing 55mm cove
- Available in 4.8m lengths



BGC Denmark

With symmetrical lines and steps BGC Denmark provides a contemporary look for this cornice profile. The sharp angles of the steps will create a bold focal point to your room.

- 75mm profile
- Contemporary design
- Available in 4.8m lengths



To contact your nearest BGC stockist, please call:

Adelaide
Telephone
08 8250 4962

Brisbane
Telephone
07 3711 4744

Melbourne
Telephone
03 9392 9444

Perth
Telephone
08 9374 2900

Sydney
Telephone
02 9632 2100

New Zealand
Telephone
0011 64 9264 1457

bgc.com.au/plasterboard



Quality
Endorsed
Company

BGC Plasterboard is a proud Australian owned manufacturer of Plasterboard products.

BGC has state-of-the-art manufacturing facilities in Perth and distribution centres in all states of Australia and in New Zealand.

Our distribution network ensures that our entire product range is readily available in all states of Australia.

BGC has a team of technical specialists who can assist with all specification and design information.

BGC provides builders, developers and architects with a range of design alternatives and innovative products, such as:

- **Ceilingboard™** – designed for internal use providing a flat, blemish free, monolithic, smooth surface ready for decorating and is ideal for all internal ceiling applications, residential and commercial where cost effectiveness is paramount.
- **Plasterboard** – the preferred internal wallboard for wall framing methods. Ideal for residential and commercial walls and partitions with a continuous, smooth, flat finish, ready for decoration.
- **WR Plasterboard** – primarily developed for wet area walls in residential and commercial buildings but is also ideal for verandas, garages and alfresco ceilings.
- **Fireboard™** – designed for use where fire systems are specified in residential and commercial buildings. Fireboard™ delivers the required Fire Resistance Level whilst maintaining a flat, blemish free surface suitable for decoration.
- **Soundboard™** – is high density plasterboard that has been specifically designed to greatly reduce unwanted noises that can be heard from one room to another through walls and ceilings.
- **Wet Area Fireboard™** – has been developed specifically for use in wet areas where a fire resistance level is specified.
- **Moisture Resistant Flameboard™** – has been developed specifically designed for use in fire risk areas where no FRL is required.
- **Compounds** – BGC plasterboard has developed a range of plasterboard compounds to aid in the fixing of our various products.
- **Cove Cornice** – provides a clean, continuous line at the junction of wall and ceilings. Three profile sizes are available to suit all applications.
- **BGC Enviroboard** – is manufactured using more recycled content than standard plasterboard without compromising on performance.

Safe working practices - Please wear a P1 or P2 mask and safety goggles (approved to AS/NZW1337 standards) whilst cutting or installing BGC Decorative Cornice. BGC Decorative Cornice can be safely handled during unloading or stacking without the use of these precautions. **Cleaning up** - Always wet down your work area when cutting or installing BGC Decorative Cornice, to ensure that dust is managed. Dispose of any vacuumed dust with care and using containment procedures.